



TEST BENCH DOLOMITE



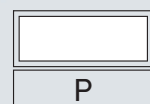
The test bench is designed to test personal protective equipment to determine its resistance to dust.

The test bench is fully automated and is a stand-alone device. During testing, the test bench provides automatic control of all parameters specified in the regulatory documents.

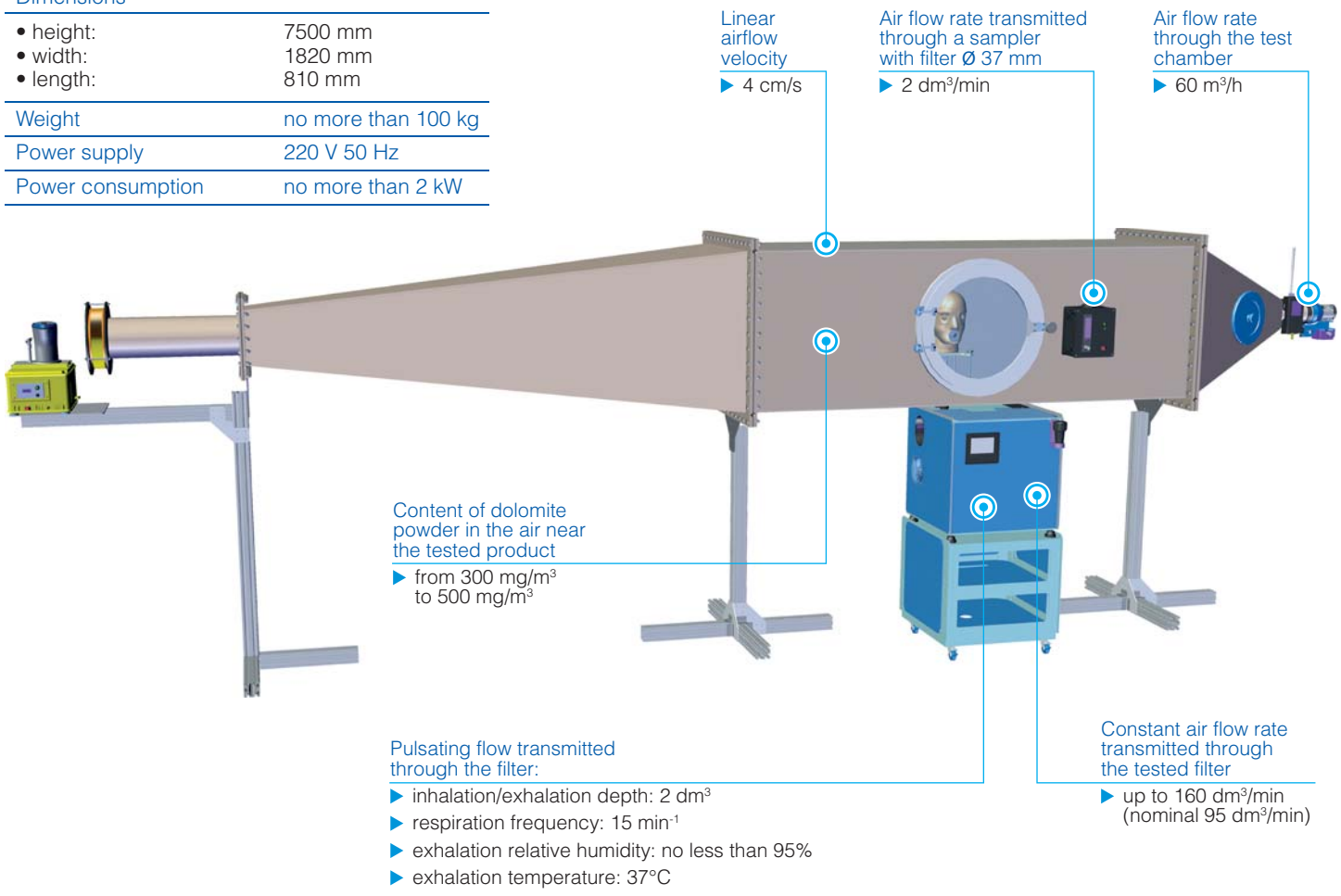
Used substance: dolomite dust DRB 4/15.

Dolomite test bench meets the requirements of the following standards:
EN 143, EN 149, EN 405, EN 1827,
EN 12941, EN 12942,
EN 13274-8, EN 14387.

«SECOND BREATH» LLC
second-breath.net
mail@second-breath.net
+7 (999) 621-97-77



Dimensions	
• height:	7500 mm
• width:	1820 mm
• length:	810 mm
Weight	
	no more than 100 kg
Power supply	
	220 V 50 Hz
Power consumption	
	no more than 2 kW



The test bench consists of two parts: a dolomite chamber and a breathing simulator.

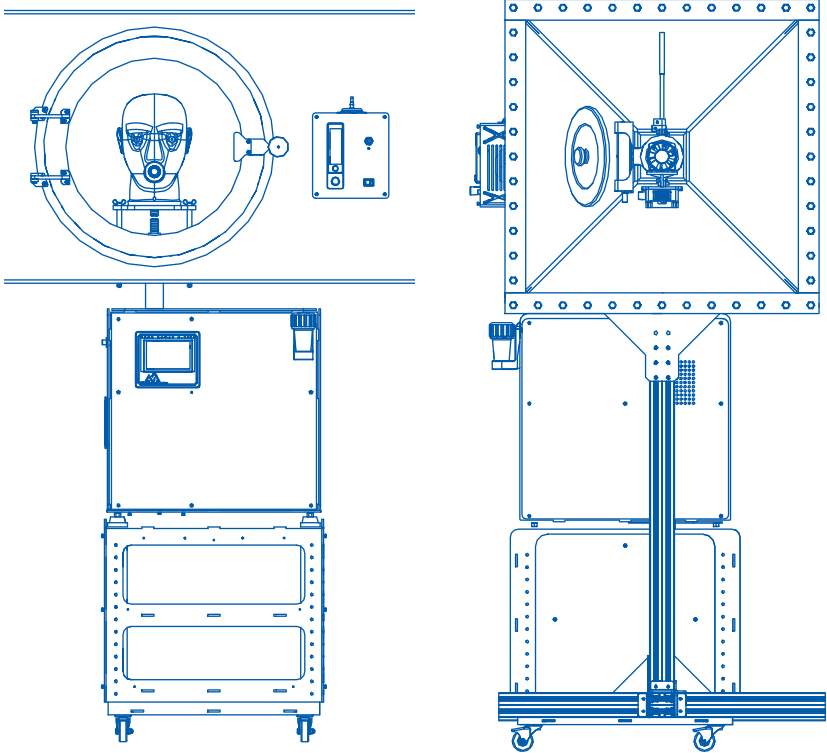
CHAMBER:

The dust chamber is designed according to standards and includes an automatic dust generator, a constant flow feeder, a dust concentration control device with a built-in flow booster.

BREATHING SIMULATOR:

The breathing simulator simulates human external respiration, providing a given volume and frequency of ventilation, temperature of 37°C during exhalation and relative humidity from 95% to 100% in the breathing mixture.

The breathing simulator is a multipurpose device which can be used for tests to model the wearing of RPE. The test bench can be additionally equipped with a CO₂ gas analysis module and can be used to determine the dioxide content in the inhaled air.



FIELDS OF APPLICATION

 <p>Research institutes and universities</p>	 <p>Developers and manufacturers of the RPE</p>	 <p>Certification centers and laboratories</p>
---	--	---